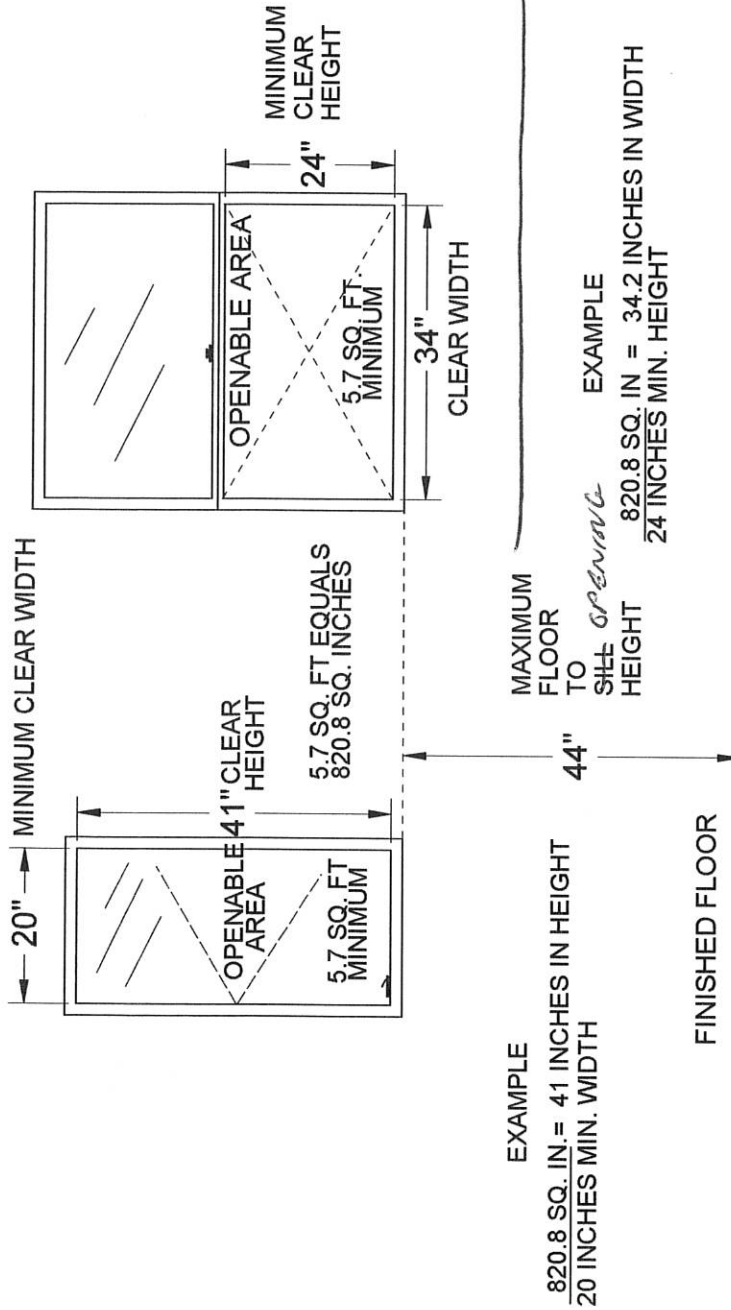


EGRESS WINDOW REQUIREMENTS



Minimum 24" height before safety glass is required

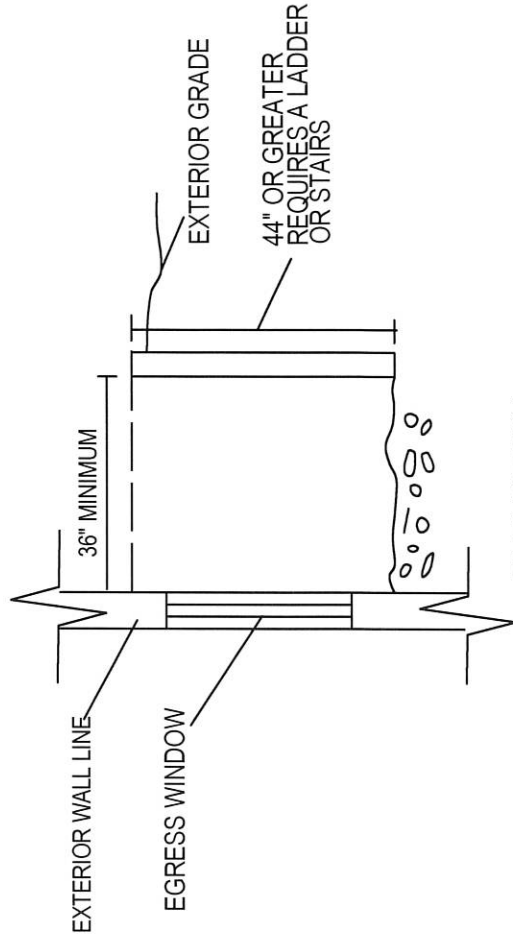
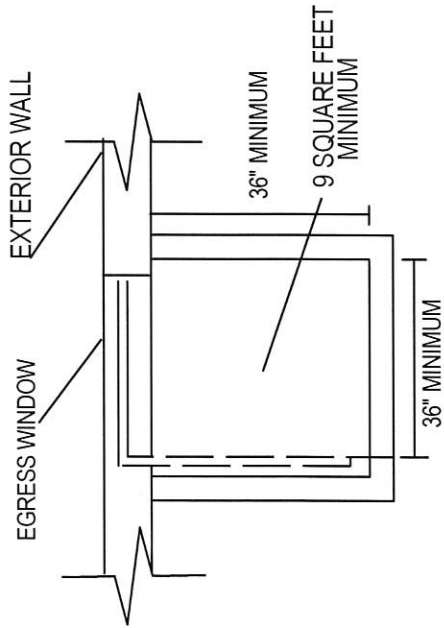
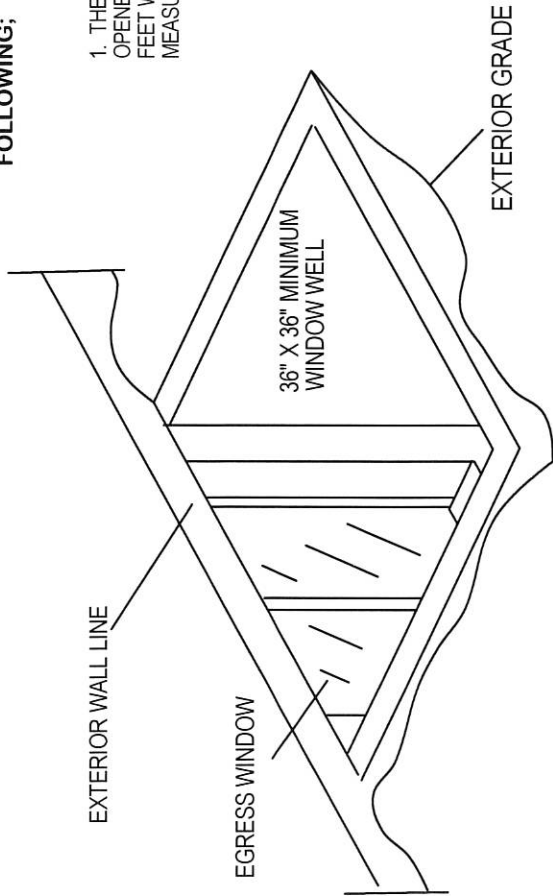
* cannot be lower than 18" inches

NOTE: THE MINIMUM EGRESS AREA OF 5.7 SQ. FT. (820.8 SQ. IN.) IS THE NET FREE AREA OF THE WINDOW IN THE FULL OPEN POSITION, WHETHER THE WINDOW IS A CASEMENT, SLIDER, OR DOUBLE HUNG. THE SILL HEIGHT OF THE WINDOW MUST BE NO MORE THAN 44" FROM THE FINISHED FLOOR. ALL HABITABLE ROOMS SHALL BE PROVIDED WITH AGGREGATE GLAZING AREA OF NOT LESS THAN 8 PERCENT OF THE FLOOR AREA OF SUCH ROOMS.

EGRESS WINDOW WELL REQUIREMENTS

ESCAPE AND RESCUE WINDOWS WITH A FINISHED SILL HEIGHT BELOW THE ADJACENT GROUND ELEVATION SHALL HAVE A WINDOW WELL. WINDOW WELLS AT ESCAPE OR RESCUE WINDOWS SHALL COMPLY WITH THE FOLLOWING;

1. THE CLEAR HORIZONTAL DIMENSIONS SHALL ALLOW THE WINDOW TO BE FULLY OPENED AND PROVIDE A MINIMUM ACCESSIBLE NET CLEAR OPENING OF 9 SQUARE FEET WITH A MINIMUM DIMENSION OF 36". THE MINIMUM OF 9 SQUARE FEET IS MEASURED WITH THE WINDOW IN THE OPEN POSITION.
2. WINDOW WELLS WITH A VERTICAL DEPTH OF MORE THAN 44 INCHES SHALL BE EQUIPPED WITH AN APPROVED PERMANENTLY AFFIXED LADDER STAIRS THAT ARE ACCESSIBLE WITH THE WINDOW IN THE FULLY OPEN POSITION. THE LADDER OR STAIRS SHALL NOT ENCROACH INTO THE REQUIRED DIMENSIONS OF THE WINDOW WELL BY MORE THAN 6 INCHES.



PLAN VIEW

NOT TO SCALE

ELEVATION